

Insulation Housings

187 Series

Model Allocation Number

CS 48 N 0 02

Series Code

28 28 Series
48 48 Series
50 50 Series
63 63 Series
ISO .. ISO Series
LK LOK Series
SEK .. Self Locking Series
TP Low Insertion Series

Material Code

N Polyamide
F Polyethylene
S Polycarbonate V0
B Polycarbonate V2
PBT .. Polybutylene Terephthalate

Sub Series

Colour Code

0 Natural
1 White
2 Yellow
3 Red
4 Green
5 Black
6 Blue
VI Violet
MR ... Brown

Insulation Housings

187 Series

Model Allocation Number

CS-48 N 0 02

Series Code

28 110 Series
48 187 Series
50 197 Series
63 250 Series
ISO .. ISO Series
LOK .. LOK Series
SEK .. Self Locking Series
TP Low Insertion Series

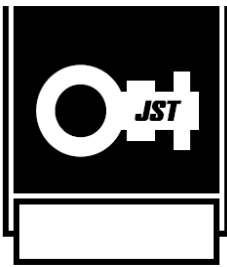
Material Code

N Polyamide
F Polyethylene
S Polycarbonate V0
B Polycarbonate V2
PBT .. Polybutylene Terephthalate

Sub Series

Colour Code

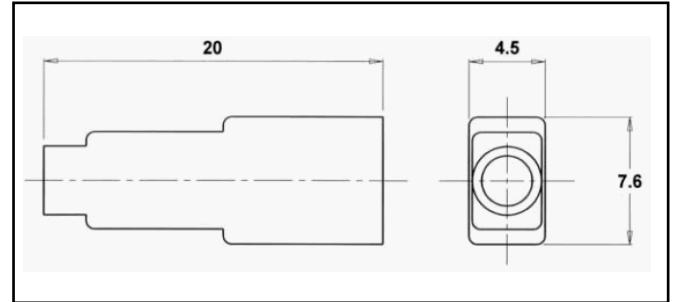
0 Natural
1 White
2 Yellow
3 Red
4 Green
5 Black
6 Blue
VI Violet
MR ... Brown



187 SERIES

Insulation housings for terminals

01 Type (Straight) Housing <Made in Europe>



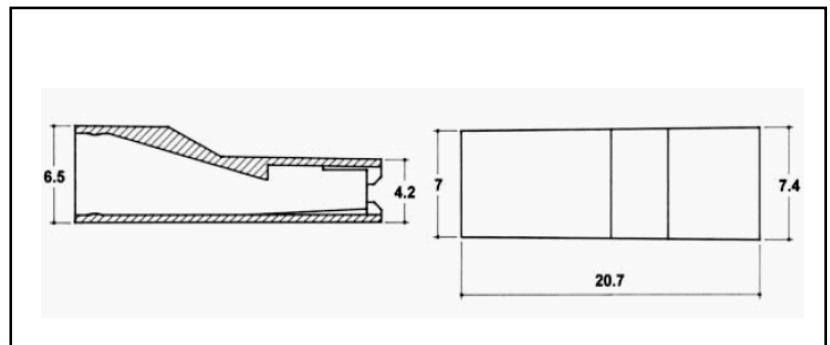
File No. E172855

Part No	Standard	Description	Material	Max Operating Temp °C	Applicable JST Terminal
CS-48F001		Single Circuit Housing (Pre-Fit)	PE (UL94-HB)	50	STO-(*)-187(*)-(*)-(*)
CS-48N001			Nylon 66 (UL94-V2)	130	
CS-48N001V0			Nylon 68 (UL94-V0)	140	

Note:

- 1) Colour coding: 0=Natural, 3=Red, 5=Black. Example CS-48N501 = Black Housing.
- 2) Example applicable JST Terminal; STO-1.0T-187N-8
- 3) Parts are available in different materials: Contact JST.
- 4) For availability, delivery and minimum order quantity details, contact JST.

02 Type (Straight) Housing <Made in Europe>

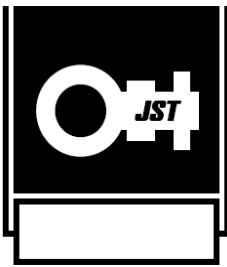


File No. E172855

Part No	Standard	Description	Material	Max Operating Temp °C	Applicable JST Terminal
CS-48N002		Single Circuit Housing	Nylon 66 (UL94-V2)	130	STO-62(*)-187N
CS-48N002V0			Nylon 68 (UL94-V0)	140	

Note:

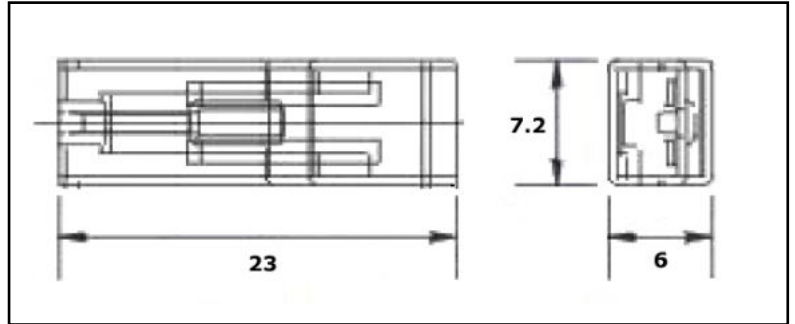
- 1) Colour coding: 0=Natural, 3=Red, 5=Black. Example CS-48N502 = Black Housing.
- 2) Example applicable JST Terminal; STO-62T-187N
- 3) Parts are available in different materials: Contact JST.
- 4) For availability, delivery and minimum order quantity details, contact JST.



187 SERIES

Insulation housings for terminals

01 SEK Type (Straight) Housing <Made in Europe>

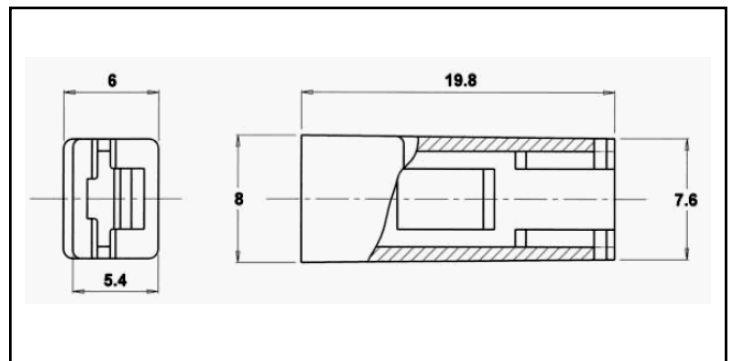


File No. E172855

Part No	Standard	Description	Material	Max Operating Temp °C	Applicable JST Terminal
CS-48N002STK		Single Circuit Housing	Nylon 66 (UL94-V2)	130	SPS-(*)-(*)-187(*)-(*)-(*)-(*)
CS-48N002STKV0			Nylon 68 (UL94-V0)	140	
CS-48NOUPSEK			Nylon 66 (UL94-V2)	130	

- Note:
- 1) Colour coding: 0=Natural, 3=Red, 5=Black, 6=Blue. Example CS-48N502STK = Black Housing.
 - 2) Example applicable JST Terminal; SPS-1.0T-187N-5L-E-F1
 - 3) Parts are available in different materials: Contact JST.
 - 4) For availability, delivery and minimum order quantity details, contact JST.

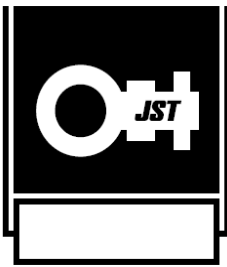
03 Type (Straight) Housing <Made in Europe>



File No. E172855

Part No	Standard	Description	Material	Max Operating Temp °C	Applicable JST Terminal
4803-187 (CS-48N003)		Single Circuit Housing	Nylon 66 (UL94-V2)	130	STO-(*)-(*)-187(*)-(*)-(*)-(*)
CS-48N003V0			Nylon 68 (UL94-V0)	140	

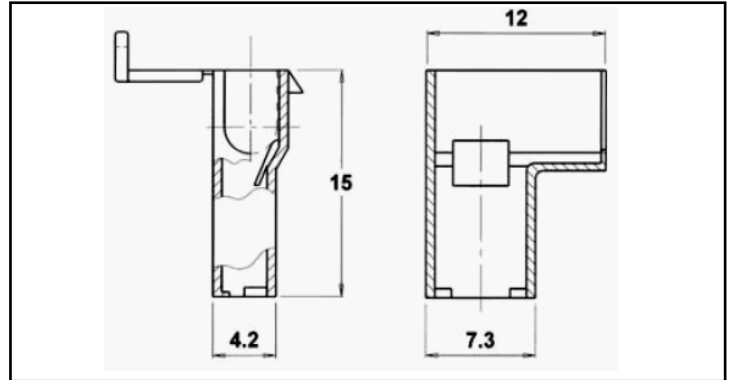
- Note:
- 1) Colour coding: 0=Natural, 3=Red, 4=Green, 5=Black, 6=Blue. Example CS-48N503 = Black Housing.
 - 2) Example applicable JST Terminal; STO-1.0T-187N-5-E
 - 3) Parts are available in different materials: Contact JST.
 - 4) For availability, delivery and minimum order quantity details, contact JST.



187 SERIES

Insulation housings for terminals

04 Type (Flag) Housing <Made in Europe>



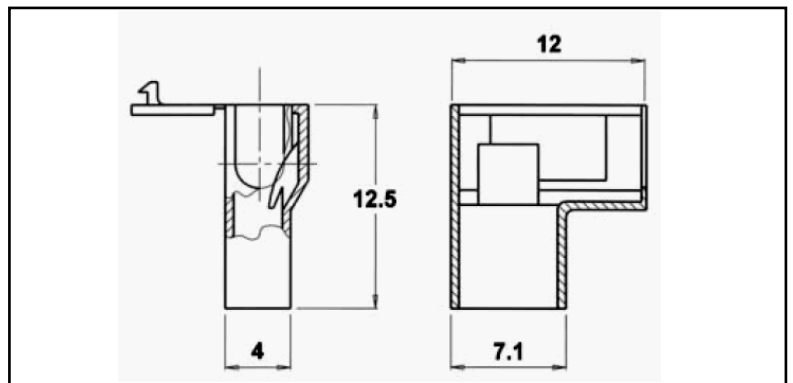
File No. E172855

Part No	Standard	Description	Material	Max Operating Temp °C	Applicable JST Terminal
CS-48N004		Single Circuit Housing	Nylon 66 (UL94-V2)	130	--
CS-48N004V0			Nylon 68 (UL94-V0)	140	

Note:

- 1) Colour coding: 0=Natural, 5=Black. Example CS-48N504 = Black Housing.
- 2) Parts are available in different materials: Contact JST.
- 3) For availability, delivery and minimum order quantity details, contact JST.

05 Type (Flag) Housing <Made in Europe>

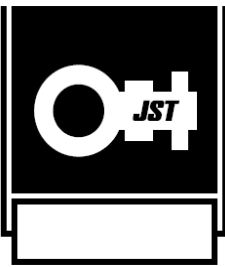


File No. E172855

Part No	Standard	Description	Material	Max Operating Temp °C	Applicable JST Terminal
CS-48N004OSW		Single Circuit Housing	Nylon 66 (UL94-V2)	130	SFO-41(*)-187N-(*)
CS-48N004OSWV0			Nylon 68 (UL94-V0)	140	

Note:

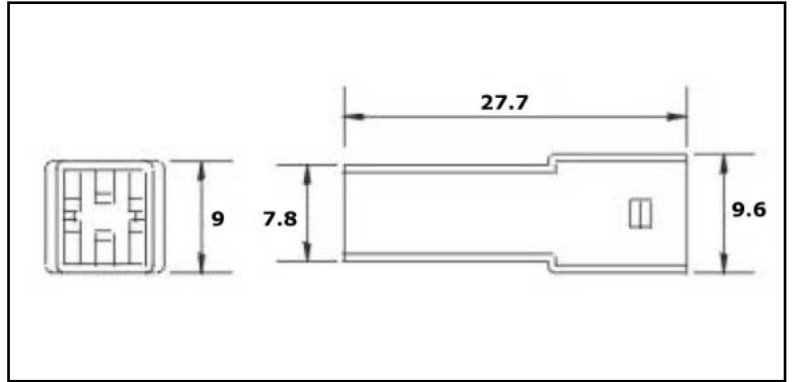
- 1) Colour coding: 0=Natural, 3=Red, 5=Black. Example CS-48N504OSW = Black Housing.
- 2) Example applicable JST Terminal; SFO-41T-187N
- 3) Parts are available in different materials: Contact JST.
- 4) For availability, delivery and minimum order quantity details, contact JST.



187 SERIES

Insulation housings for terminals

06 Type (Straight) Housing <Made in Europe>



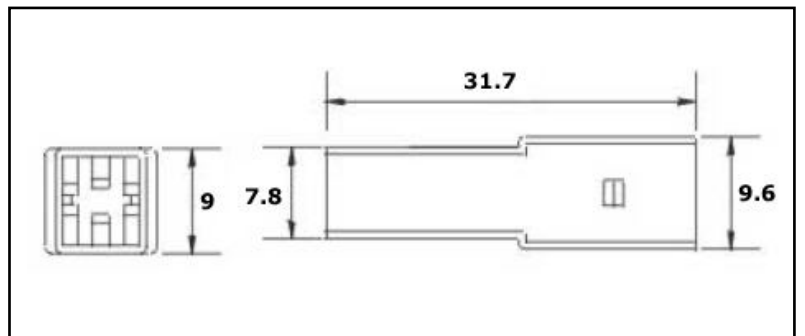
File No. E172855

Part No	Standard	Description	Material	Max Operating Temp °C	Applicable JST Terminal	Applicable Mating Housing
CS-48N005		Single Circuit Housing	Nylon 66 (UL94-V2)	130	SIM-1.0(*)-187D(*)-5-E-F1	CS-48N006
CS-48N005V0			Nylon 68 (UL94-V0)	140		CS-48N006V0

Note:

- 1) Example applicable JST Terminal; SIM-1.0T-187D-5-E-F1
- 2) Parts are available in different materials: Contact JST.
- 3) For availability, delivery and minimum order quantity details, contact JST.

07 Type (Straight) Housing <Made in Europe>

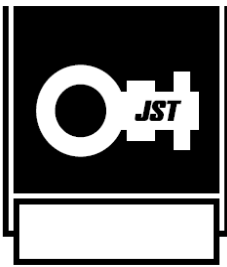


File No. E172855

Part No	Standard	Description	Material	Max Operating Temp °C	Applicable JST Terminal	Applicable Mating Housing
CS-48N005.01		Single Circuit Housing	Nylon 66 (UL94-V2)	130	--	CS-48N006
CS-48N005.01V0			Nylon 68 (UL94-V0)	140		CS-48N006V0

Note:

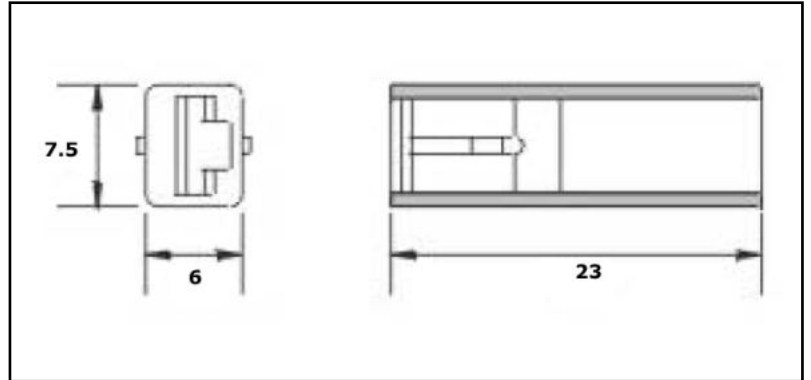
- 1) Parts are available in different materials: Contact JST.
- 2) For availability, delivery and minimum order quantity details, contact JST.



187 SERIES

Insulation housings for terminals

08 Type (Straight) Housing <Made in Europe>



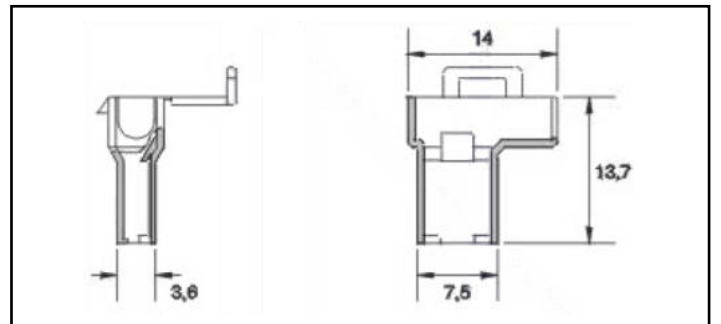
File No. E172855

Part No	Standard	Description	Material	Max Operating Temp °C	Applicable JST Terminal	Applicable Mating Housing
CS-48N006		Single Circuit Housing	Nylon 66 (UL94-V2)	130	STI-(*)-(*)-187N(*)-(*)-E	CS-48N005 CS-48N005.01
CS-48N006V0			Nylon 68 (UL94-V0)	140		CS-48N005V0 CS-48N005.01V0

Note:

- 1) Example applicable JST Terminal; STI-1.0T-187N-5-E
- 2) Parts are available in different materials: Contact JST.
- 3) For availability, delivery and minimum order quantity details, contact JST.

03 TP Type (Flag) Housing <Made in Europe>

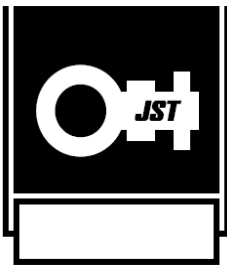


File No. E172855

Part No	Standard	Description	Material	Max Operating Temp °C	Applicable JST Terminal
CS-48N007		Single Circuit Housing	Nylon 66 (UL94-V2)	130	SFO-(*)-(*)-187(*)-(*)-(*)-(*)
CS-48N007V0			Nylon 68 (UL94-V0)	140	

Note:

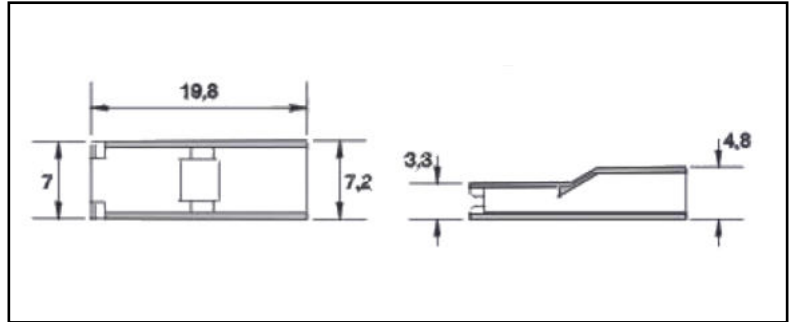
- 1) Example applicable JST Terminal; SFO-1.5T-187N-5L-E
- 2) Parts are available in different materials: Contact JST.
- 3) For availability, delivery and minimum order quantity details, contact JST.



187 SERIES

Insulation housings for terminals

04 TP Type (Straight) Housing <Made in Europe>



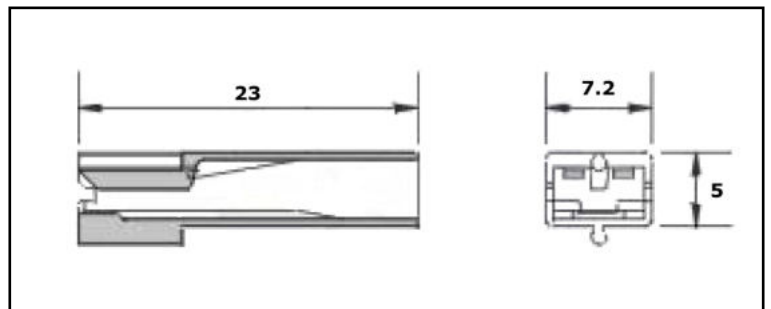
File No. E172855

Part No	Standard	Description	Material	Max Operating Temp °C	Applicable JST Terminal
CS-48N008		Single Circuit Housing	Nylon 66 (UL94-V2)	130	STO-(*)-(*)-187(*)-(*)-(*)-(*)
CS-48N008V0			Nylon 68 (UL94-V0)	140	

Note:

- 1) Example applicable JST Terminal; STO-1.0T-187N-5L-E
- 2) Parts are available in different materials: Contact JST.
- 3) For availability, delivery and minimum order quantity details, contact JST.

09 SEK Type (Straight) Housing <Made in Europe>



File No. E172855

Part No	Standard	Description	Material	Max Operating Temp °C	Applicable JST Terminal
CS-48P5		Single Circuit Housing	Nylon 66 (UL94-V2)	130	--
CS-48P5V0			Nylon 68 (UL94-V0)	140	

Note:

- 1) Parts are available in different materials: Contact JST.
- 2) For availability, delivery and minimum order quantity details, contact JST.