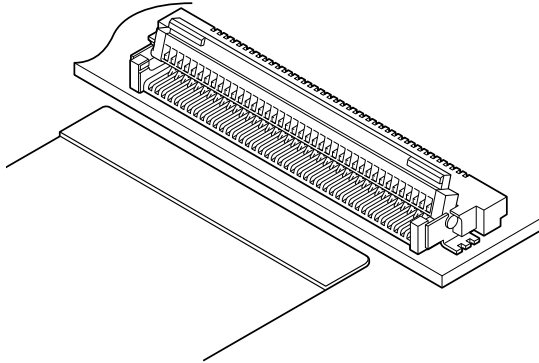


FLZX CONNECTOR

0.5 mm pitch/Connectors for PC board/For FFC and FPC, ZIF type



The connector for the 0.3 mm thickness FFC or FPC with a mounting height of 2.0 mm. This 0.5 mm pitch FFC or FPC connector adopts a ZIF structure, which provides superior performance in durability and offers effective protection from wearing. The use of the rotating type cover contributes to easy operation especially with big circuits connectors.

- Rotating type cover
- Reliable cover
- Heat resisting design for surface mounting

Standards

Ⓜ : Recognized E60389

Ⓢ : Certified LR20812

Specifications

- Current rating: 0.5 A AC/DC
- Voltage rating: 50 V AC/DC
- Temperature range: -25°C to +85°C
(including temperature rise in applying electrical current)
- Contact resistance: Initial value/40 mΩ max.
After environmental tests/60 mΩ max.
- Insulation resistance: 500 MΩ min.
- Withstanding voltage: There shall be no breakdown or flashover while applying 200 VAC for one minute.
- Applicable FFC and FPC: Conductor pitch/0.5 mm
Conductor width/0.35 mm
Thickness of contact area/0.3 ± 0.03 mm

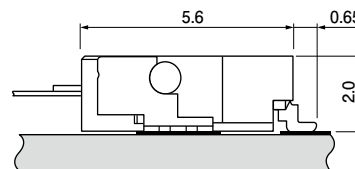
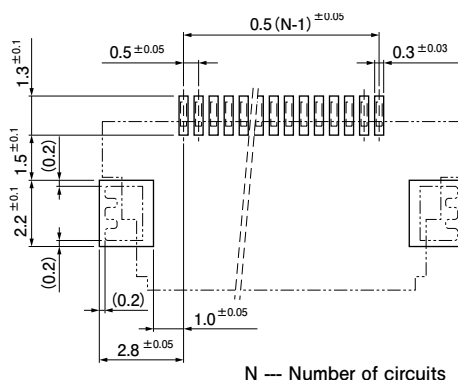
* In using the products, refer to "Handling Precautions for Terminals and Connectors" described on our website (Technical documents of Product information page).

* RoHS2 compliance

* Dimensional unit: mm

* Contact JST for details.

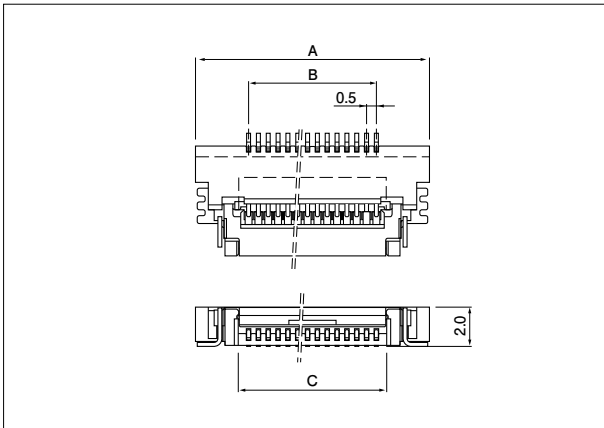
PC board layout and Assembly layout



- Note: 1. The PC board layout is the figure viewed from the connector mounting side.
2. Tolerance for the PCB pattern pitch shall be ± 0.05 and shall not accumulate.
The above dimensions are reference values. Please contact JST for details.

FLZX CONNECTOR

Connector



No. of circuits	Model No.	Dimensions (mm)			Q'ty / reel
		A	B	C	
20	20FLZX-RSM1-A-TB	14.9	9.5	10.5	2,000
24	24FLZX-RSM1-A-TB	16.9	11.5	12.5	2,000
32	32FLZX-RSM1-A-TB	20.9	15.5	16.5	2,000
50	50FLZX-RSM1-A-TB	29.9	24.5	25.5	2,000

Material and Surface finish, etc.

Contact: Copper alloy, copper-undercoated, tin-plated
Housing: Heat resisting resin, UL94V-0
Solder tab: Copper alloy, copper-undercoated, tin-plated
Cover housing: Heat resisting resin, UL94V-0

This product displays (LF)(SN) on a label.
Note: Contact JST for gold-plated products.

Dimensions of FFC/FPC lead section

