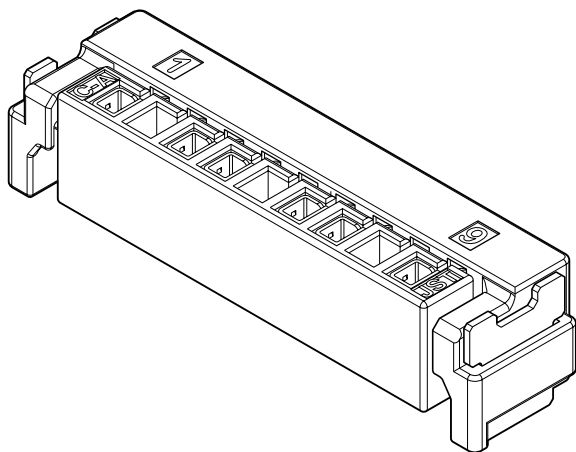


# HVD CONNECTOR

Board-to-board



0.64 unsealed alignment-free, low profile surface mount connector for automobile applications.



## Features

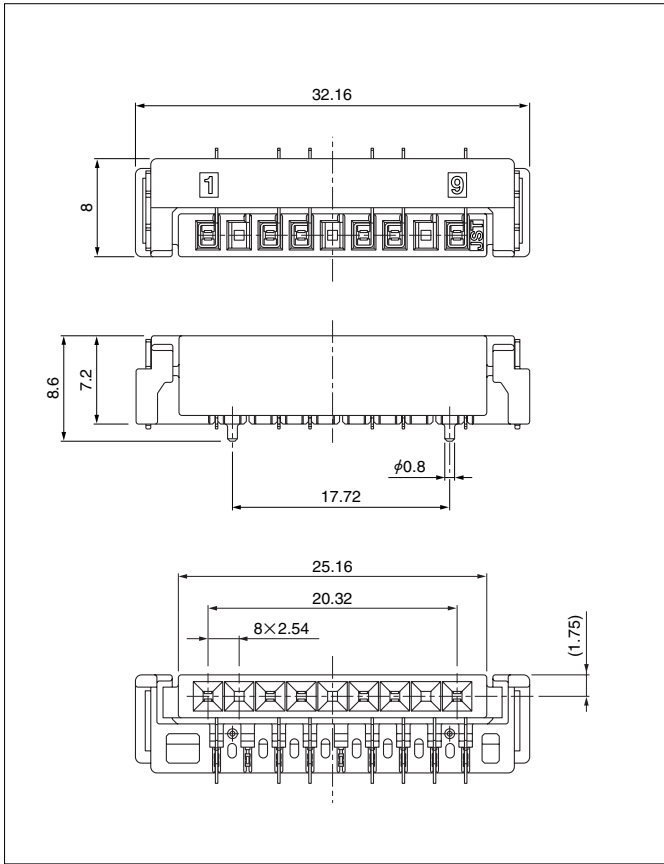
- Low profile Surface mount Board-to-board Connectors, Compliant with Automotive Performance Specifications
- Accepts 0.64 Male Blade
- Misalignment absorption feature
- Variations  
Up to 9 positions in any configuration
- Lead Free Reflow capable

## Specifications

- Current rating: 4.5A DC max.
- Voltage rating: 14V DC
- Temperature range: -40°C to +125°C  
(including temperature rise in applying electrical current)
- Contact resistance: Initial value/15mΩ max.  
After environmental testing/15mΩ max.
- Insulation resistance: 100MΩ min.

\* Compliant with ELV/RoHS.  
\* Contact JST for details.

## Connector

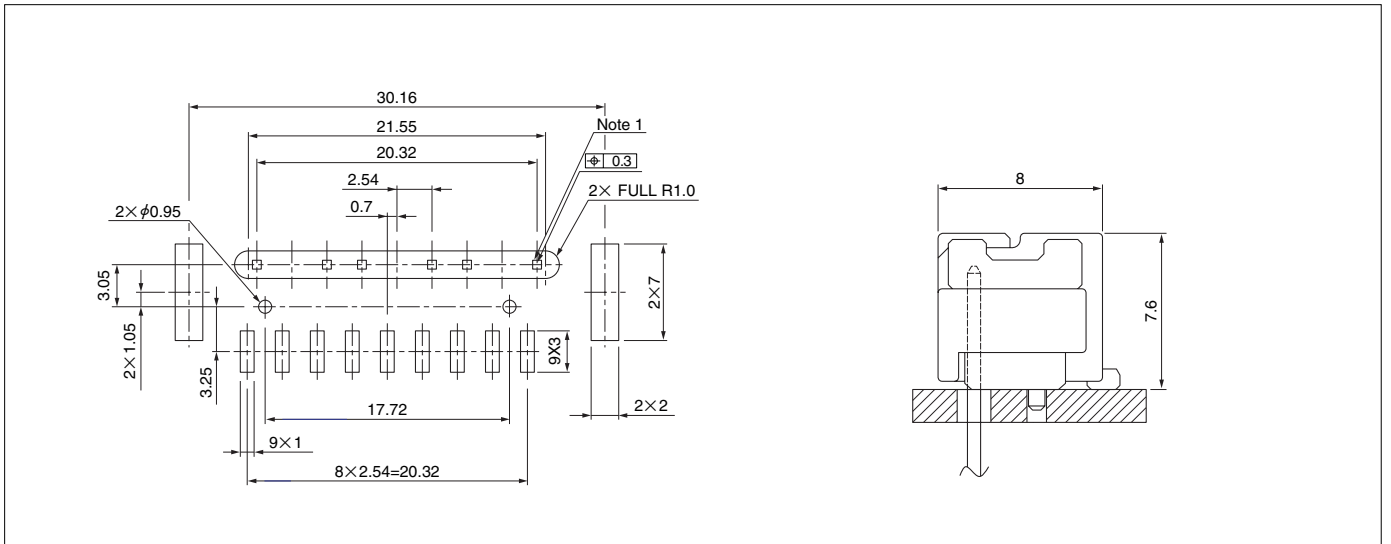


Circuits	Model No.	Q'ty/reel	Housing Color
6	09HVD6B-EMGF-NR	900	Brown

### Material and Finish

Housing: PPS  
 Terminal: Copper alloy, tin-plated, selective gold-plated  
 Reinforcement: Brass, tin-plated

## PC board layout, Assembly layout



- Note: 1. 0.64 pins comply with EWCAP\_001.  
 2. Tolerances are non-cumulative:  $\pm 0.05\text{mm}$  for all centers.  
 3. Hole dimensions differ according to the type of PC board and piercing method.  
 The dimensions above should serve as guideline. Contact JST for details.