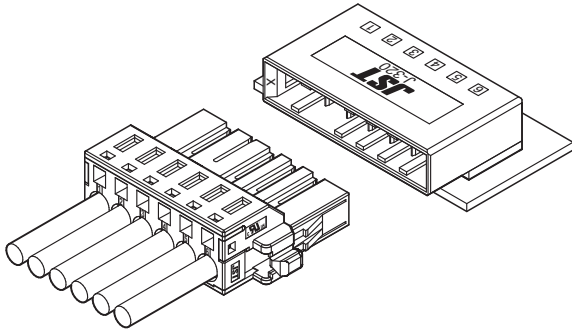


J-FAT CONNECTOR

3.5/5/5.08/6.35/8/15 mm pitch/Connectors for PC board (Spring type terminal block)



Spring type connection structure makes a wire connection operation easy by using the open tool.

Specifications

Current unit: A

Series name	No. of circuits	Current rating (AC/DC)								Voltage rating (AC/DC)	
		Wire size (AWG)									
		#8	#10	#12	#14	#16	#18	#20	#22		#24
Mini J-FAT	2	-	-	-	-	-	-	7	6	5	250 V
J-FAT-S-H	5	-	-	-	13.5	11.5	9.5	-	-	-	
J-FAT-S-A	9	-	-	-	12	11	9	-	-	-	300 V
	3	-	-	-	13	12.25	10.5	-	-	-	
	4	-	-	-	12	11.25	10	-	-	-	
5	-	-	-	11.25	10.5	9.5	-	-	-		
6	-	-	-	10.5	9.75	9	-	-	-		
J-FAT-S-F	6	-	-	-	9.75	9.75	9	-	-	-	
J-FAT-S-G	4	-	-	-	11.25	11.25	10	-	-	-	600 V
J-FAT-S-4300	3	-	-	20	17	15	-	-	-	-	
J-FAT-S-XL	3	-	23	21	18	15	-	-	-	-	
	6	-	21	18	16	14	-	-	-	-	
	7	-	21	18	16	13	-	-	-	-	
J-FAT-S-P	3	43	30	21	18	15	-	-	-	-	

Note : The above specifications may differ from Safety Standard.

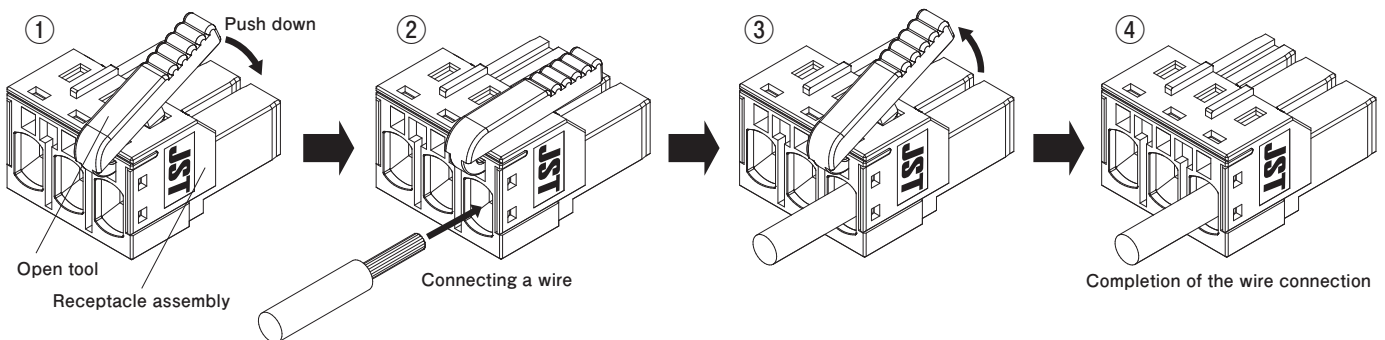
* In using the products, refer to "Handling Precaution for Terminals and Connectors" described on our website (Technical documents of Product information page).

* RoHS2 compliance

* Dimensional unit: mm

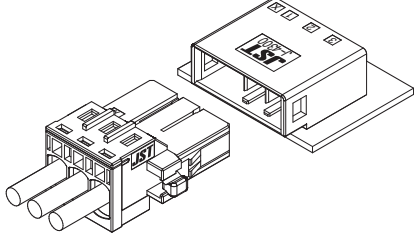
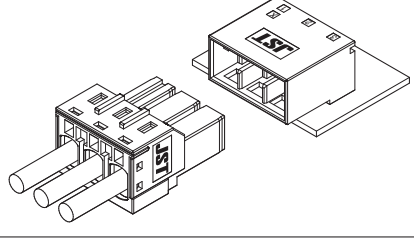
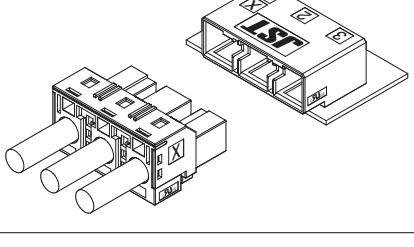
* Contact JST for details.

How to connect a wire

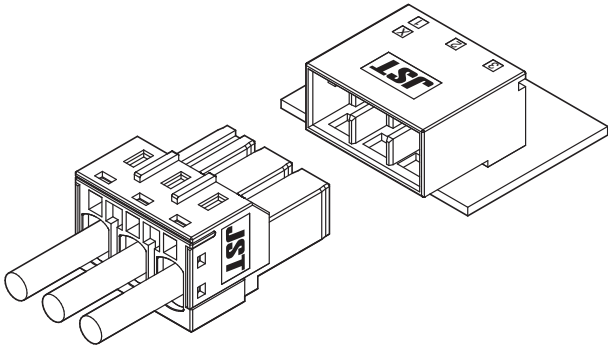


J-FAT CONNECTOR


J-FAT connector products line-up

Rated voltage	Pitch between circuits	Series name	Applicable header	No. of circuits	Applicable wire
600 V	6.35 mm	J-FAT-S-4300	J4300 Header		AWG#16 to #12
				3	
	8 mm	J-FAT-S-XL	J-FAT-S-XL Header		AWG#16 to #10
				3, 6, 7	
	15 mm	J-FAT-S-P	J-FAT-S-P Header		AWG#16 to #8
				3	

J-FAT CONNECTOR/S-XL SERIES



Standards

 : Recognized E 239668

*Contact JST for details about the above Safety standard.

Specifications

• Current rating: AC/DC

Current unit: A

No. of circuits	Wire size (AWG)			
	# 10	# 12	# 14	# 16
3	23	21	18	15
6	21	18	16	14
7	21	18	16	13

- Voltage rating: 600 V AC/DC
 - Temperature range: -55°C to +105°C
(including temperature rise in applying electrical current)
 - Contact resistance: Initial value/ 5 mΩ max
After environmental tests/ 10 mΩ max.
 - Insulation resistance: Initial value/ 1,000 MΩ min.
After environmental tests/ 100 MΩ min.
 - Withstanding voltage: 2,200 VAC/minute
 - Applicable wire: AWG #16 to #10
 - Applicable PC board thickness: 1.6 to 2.4 mm
- Note: The above specifications may differ from Safety Standard.

* In using the products, refer to "Handling Precaution for Terminals and Connectors" described on our website (Technical documents of Product information page).

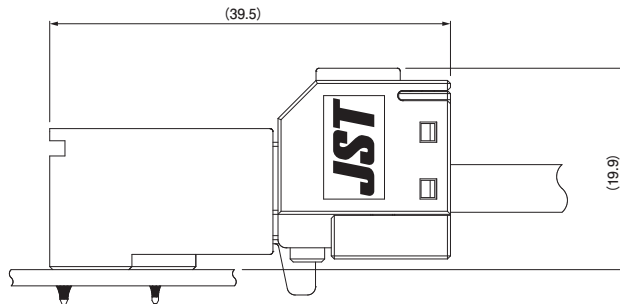
* RoHS2 compliance

* Dimensional unit: mm

* Contact JST for details.

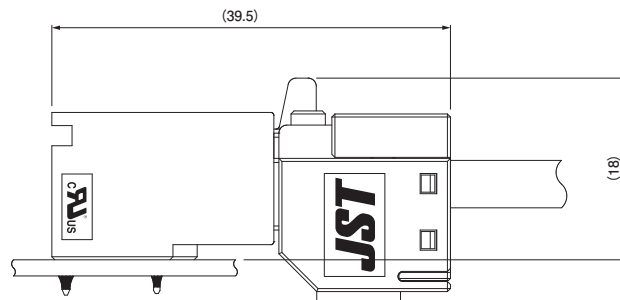
Assembly layout

J-FAT-S-XL
<Side entry type>
● Normal type



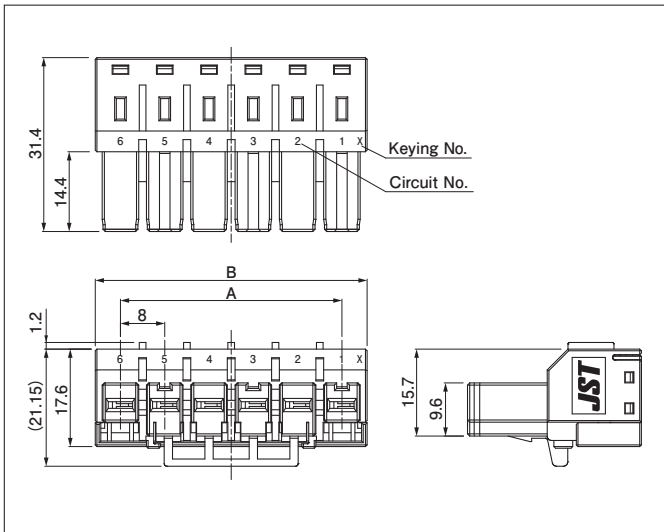
Wire-to-board

● Reverse type



J-FAT CONNECTOR/S-XL SERIES

Receptacle assembly



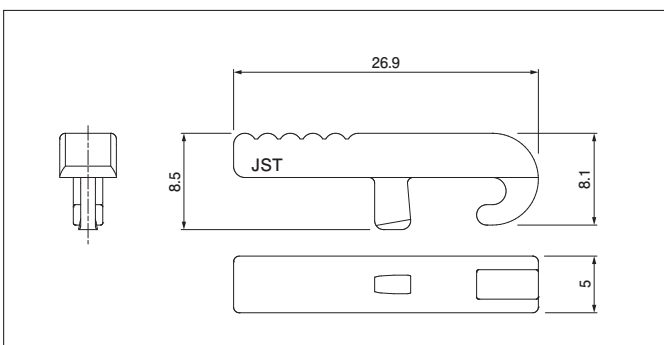
No. of circuits	Keying	Model No.	Dimensions (mm)		Q'ty/box
			A	B	
3	X	03JFAT-SAXGFK-XL	16	25.1	416
	Y	03JFAT-SAYGFS-XL			
6	X	06JFAT-SAXGFK-XL	40	49.1	192
	Y	06JFAT-SAYGFS-XL			
7	X	07JFAT-SAXGFK-XL	48	57.1	160

Material and Finish

Tab contact: Copper alloy, nickel-undercoated, selective gold-plated
Housing: Glass-filled PBT, UL94V-0,
X-Keying (black), Y-Keying (white)
Cover: Glass-filled PBT, UL94V-0,
X-Keying (black), Y-Keying (white)
Spring: Stainless

RoHS2 compliance

Open tool



Model No.	Q'ty/bag
J-FAT-OT-XL	500

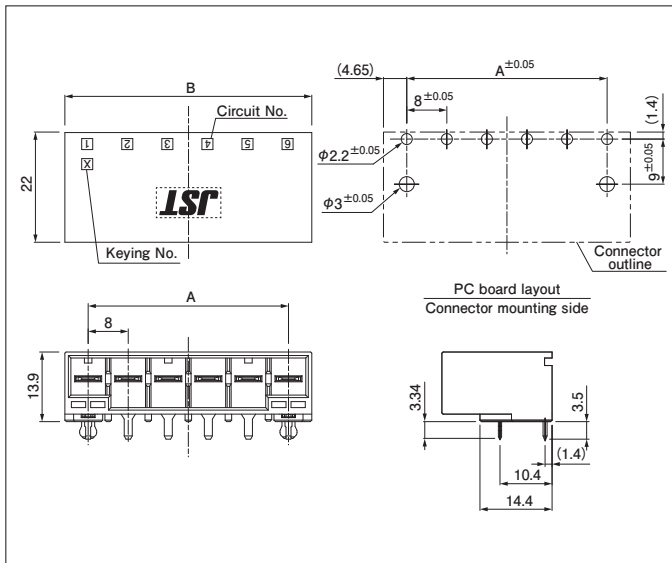
Material and Finish

Glass-filled PA

RoHS2 compliance

J-FAT CONNECTOR/S-XL SERIES

Header (Side entry type)



No. of circuits	Keying	Model No.	Dimensions (mm)		Q'ty/box
			A	B	
3	X	S03B-JTSLSK-GSANXR	16	25.3	80
	Y	S03B-JTSLSS-GSANYR			
6	X	S06B-JTSLSK-GSANXR	40	49.3	40
	Y	S06B-JTSLSS-GSANYR			
7	X	S07B-JTSLSK-GSANXR	48	57.3	30

Material and Finish

Tab contact: Copper alloy, nickel-undercoated, selective gold-plated

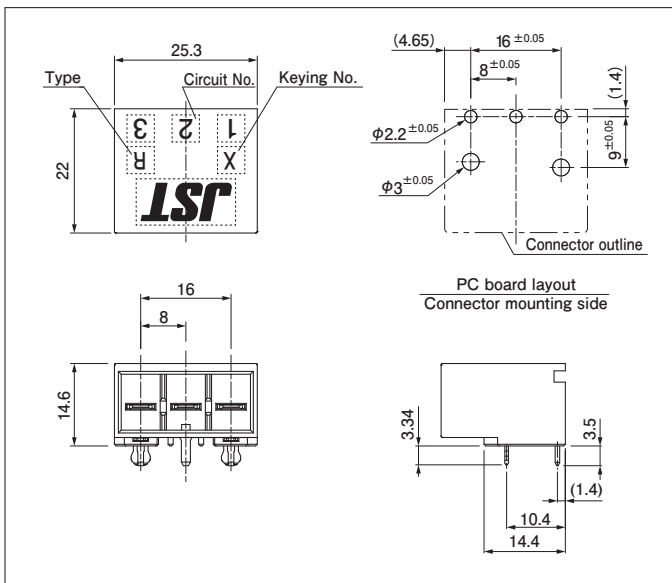
Housing: Glass-filled PBT, UL94V-0,

X-Keying (black), Y-Keying (white)

Reinforcement: Copper alloy, nickel-undercoated, selective gold-plated

RoHS2 compliance

Header (Side entry type Reverse type)



No. of circuits	Keying	Model No.	Q'ty/box
3	X	SR03B-JTSLSK-GSANXR	80
	Y	SR03B-JTSLSS-GSANYR	80

Material and Finish

Tab contact: Copper alloy, nickel-undercoated, selective gold-plated

Housing: Glass-filled PBT, UL94V-0,

X-Keying (black), Y-Keying (white)

Reinforcement: Copper alloy, nickel-undercoated, selective gold-plated

RoHS2 compliance