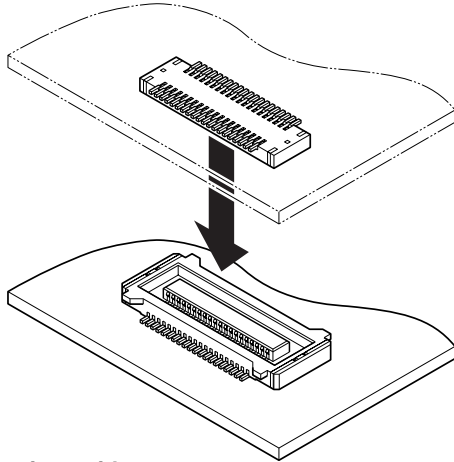


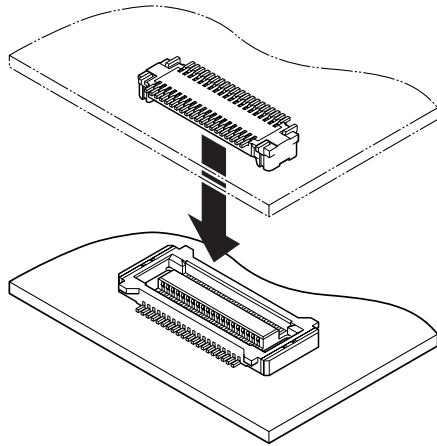


# JAV CONNECTOR

0.4mm pitch/Board-to-board connectors



With mating guide



- Fine pitch and extremely low profile
- Contact lock construction
- Flat surface
- Concentration contact structure with wiping action
- Mating connector inside box shaped plug and receptacle
- Solder going-up prevention

## JAV connector with mating guide

- Mating guide structure

## Specifications

- Current rating: 0.3 A AC, DC
- Voltage rating: 30 V AC, DC
- Temperature range: -25°C to +85°C  
(including temperature rise in applying electrical current)
- Contact resistance: Initial value/ 70 mΩ max.  
After environmental tests/ 140 mΩ max.
- Insulation resistance: 50 MΩ min.
- Withstanding voltage: 100 VAC/minute
- \* Refer to "General Instruction and Notice when using Terminals and Connectors" at the end of this catalog.
- \* Contact JST for details.
- \* Compliant with RoHS.

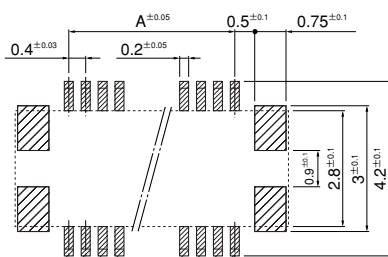
## Standards

Recognized E60389

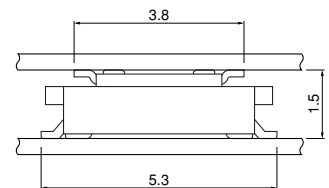
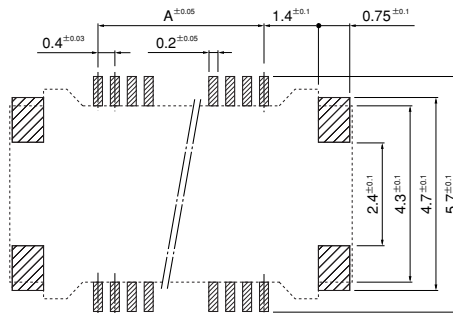
Certified LR20812

0.4mm pitch, SMT, low profile connector with parallel connection.

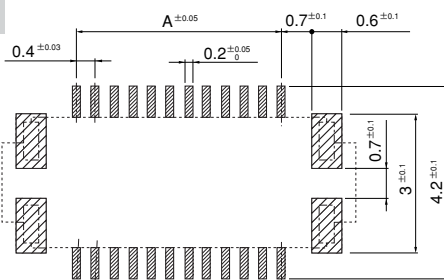
Plug



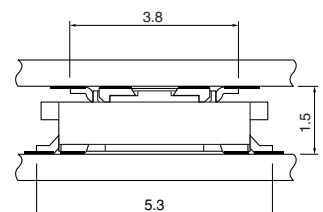
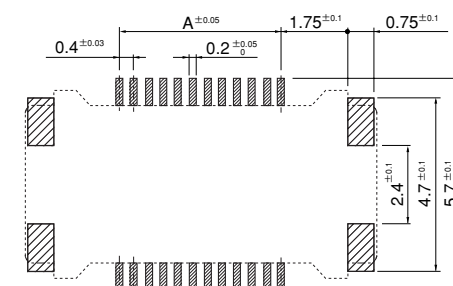
Receptacle



Plug/with mating guide



Receptacle/with mating guide

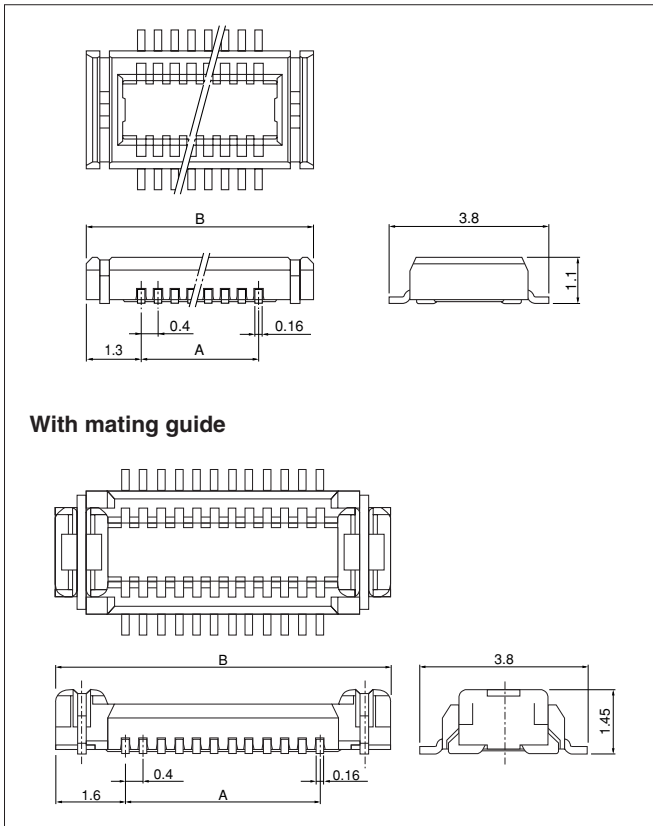


Note: 1. The above figure is the figure viewed from the connector mounting side.

2. Tolerances are non-cumulative: ±0.03mm for all centers. The dimensions above should serve as a guideline. Contact JST for details.

# JAV CONNECTOR

## Plug



Circuits	Model No.	Dimensions (mm)		Qty / reel
		A	B	
22	<b>22PA-JAVK-GSAN-TF</b>	4.0	6.6	3,500

### Material and Finish

Contact: Phosphor bronze, nickel-undercoated, gold-plated (nickel-stripe)  
 Housing: LCP, UL94V-0  
 Solder tab: Brass, copper-undercoated, tin-plated (reflow treatment)

**RoHS compliance** This product displays (LF)(SN) on a label.  
 Note: The product listed above is supplied on embossed-tape.

### With mating guide

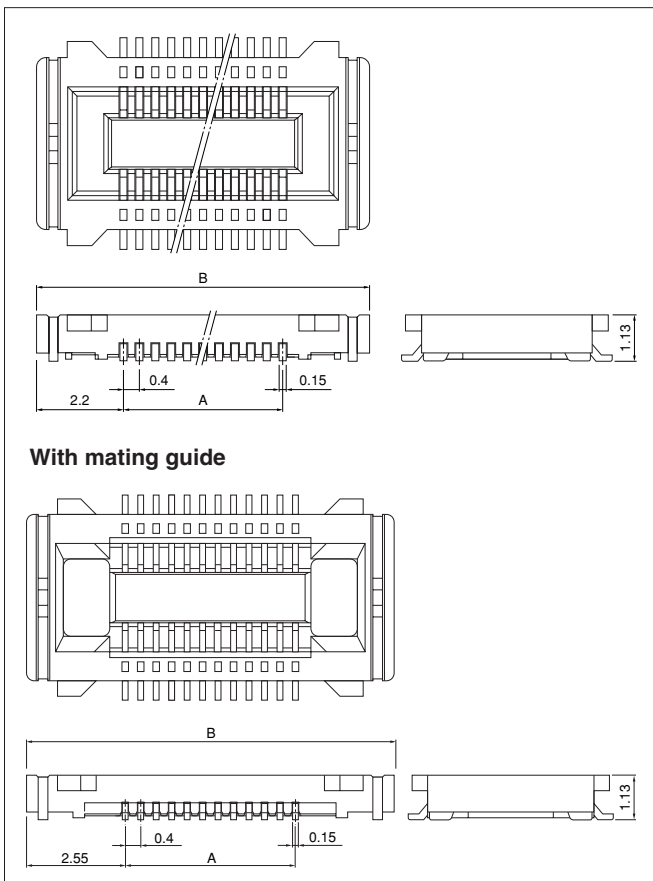
Circuits	Model No.	Dimensions (mm)		Qty / reel
		A	B	
24	<b>24PA-JAVK-GSAN-1-TF</b>	4.4	7.6	3,000

### Material and Finish

Contact: Phosphor bronze, nickel-undercoated, gold-plated (nickel-stripe)  
 Housing: LCP, UL94V-0  
 Solder tab: Brass, copper-undercoated, tin-plated (reflow treatment)

**RoHS compliance** This product displays (LF)(SN) on a label.  
 Note: The product listed above is supplied on embossed-tape.

## Receptacle



Circuits	Model No.	Dimensions (mm)		Qty / reel
		A	B	
22	<b>22R-JAVK-GSAN-TF</b>	4.0	8.4	3,500

### Material and Finish

Contact: Phosphor bronze, nickel-undercoated, gold-plated (nickel-stripe)  
 Housing: LCP, UL94V-0  
 Solder tab: Brass, copper-undercoated, tin-plated (reflow treatment)

**RoHS compliance** This product displays (LF)(SN) on a label.  
 Note: The product listed above is supplied on embossed-tape.

### With mating guide

Circuits	Model No.	Dimensions (mm)		Qty / reel
		A	B	
24	<b>24R-JAVK-GSAN-1-TF</b>	4.4	9.5	3,500

### Material and Finish

Contact: Phosphor bronze, nickel-undercoated, gold-plated (nickel-stripe)  
 Housing: LCP, UL94V-0  
 Solder tab: Brass, copper-undercoated, tin-plated (reflow treatment)

**RoHS compliance** This product displays (LF)(SN) on a label.  
 Note: The product listed above is supplied on embossed-tape.