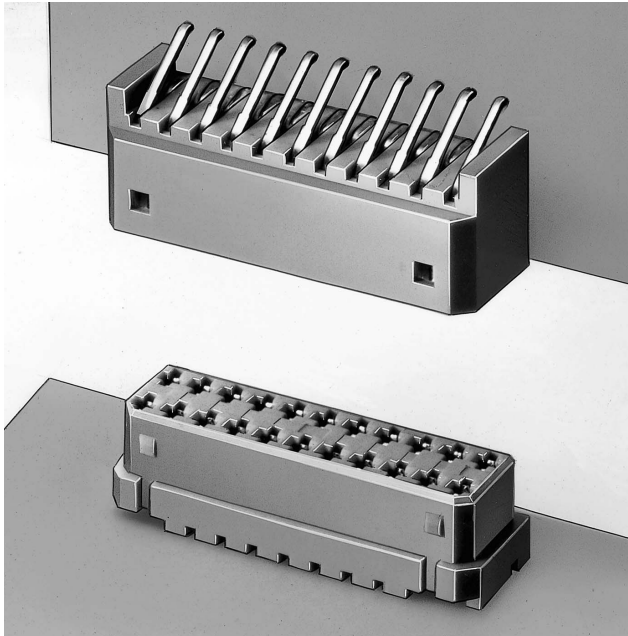
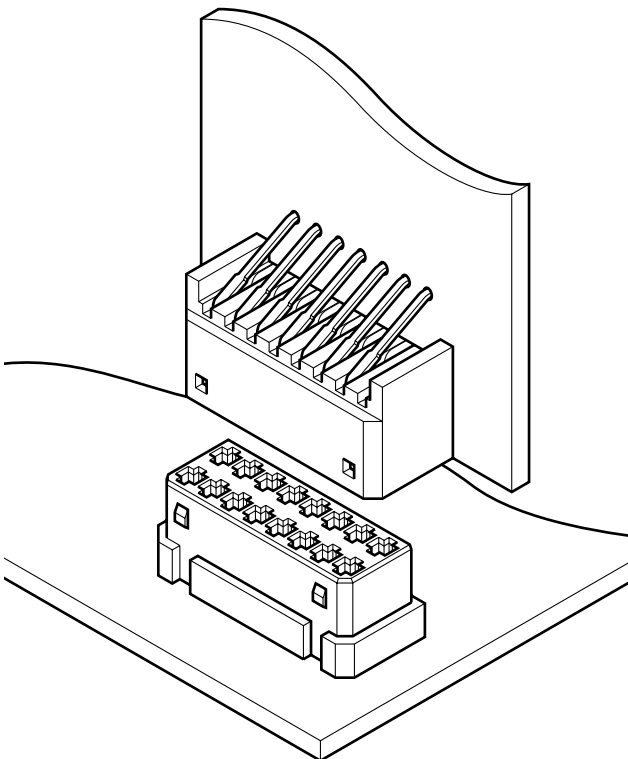


JED CONNECTOR

Board-to-board connectors



This 1.25mm pitch dual-in-line, board-to-board connector. Double-sided, high-pressure contacts and a housing locking feature provide reliable connections.



Feature

• **A compact design to meet today's needs**

This small connector has a 1.25mm pitch dual-in-line construction at both the mating and printed circuit board sides. It has a mounting height of only 7.0mm and a thickness of 4.6mm.

• **Positive housing lock provides a highly reliable connection**

The high-pressure, double-sided, fork type contacts and a housing lock feature ensure continuity even when the connector is subjected to severe vibration or shock.

• **Polarized shrouded header**

The polarized shrouded header prevents misinsertion or distortion of the receptacle housing during mating. The rigid mating between the plug and receptacle guarantees high reliability during vibration or shock.

Specifications

- Current rating: 1.0A AC, DC
- Voltage rating: 50V AC, DC
- Temperature range: -25°C to +85°C
(including temperature rise in applying electrical current)
- Contact resistance: Initial value/20m Ω max.
After environmental testing/40m Ω max.
- Insulation resistance: 300M Ω min.
- Withstanding voltage: 500V AC/minute
- Applicable PC board thickness: 0.8 to 1.0mm
- * Compliant with RoHS.
- * Refer to "General Instruction and Notice when using Terminals and Connectors" at the end of this catalog.
- * Contact JST for details.

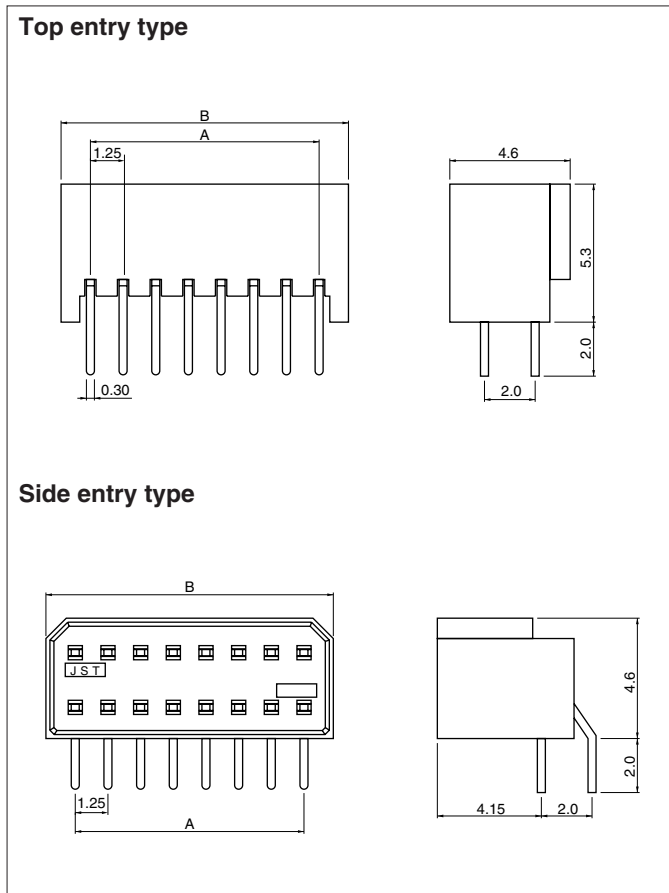
Standards

Recognized E60389

Certified LR20812

JED CONNECTOR

Plug

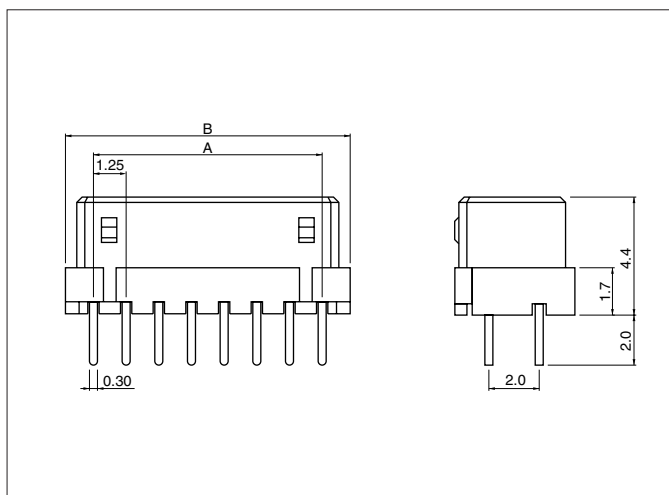


Circuits	Model No.		Dimensions (mm)		Q'ty / box
	Top entry type	Side entry type	A	B	
8	08P-JED	08PS-JED	3.75	5.95	500
16	16P-JED	16PS-JED	8.75	10.95	500
22	22P-JED	22PS-JED	12.50	14.70	500

Material and Finish
 Contact: Brass, tin-plated(reflow treatment)
 Housing: Glass-filled PA 66, UL94V-0

RoHS compliance

Receptacle

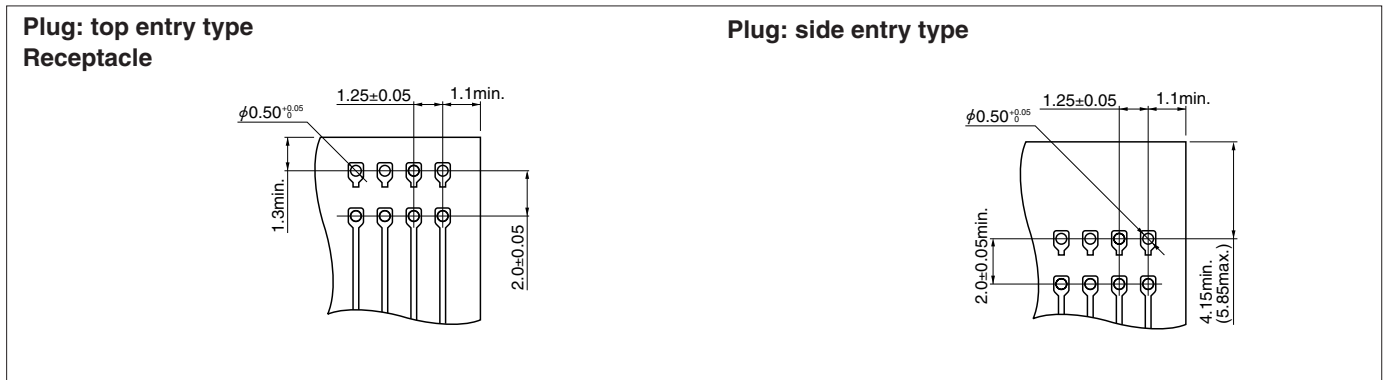


Circuits	Model No.	Dimensions (mm)		Q'ty / box
		A	B	
8	08R-JED	3.75	5.95	500
16	16R-JED	8.75	10.95	500
22	22R-JED	12.50	14.70	500

Material and Finish
 Contact: Phosphor bronze, copper-undercoated, tin-plated(reflow treatment)
 Housing: Glass-filled PA 66, UL94V-0

RoHS compliance This product displays (LF)(SN) on a label.

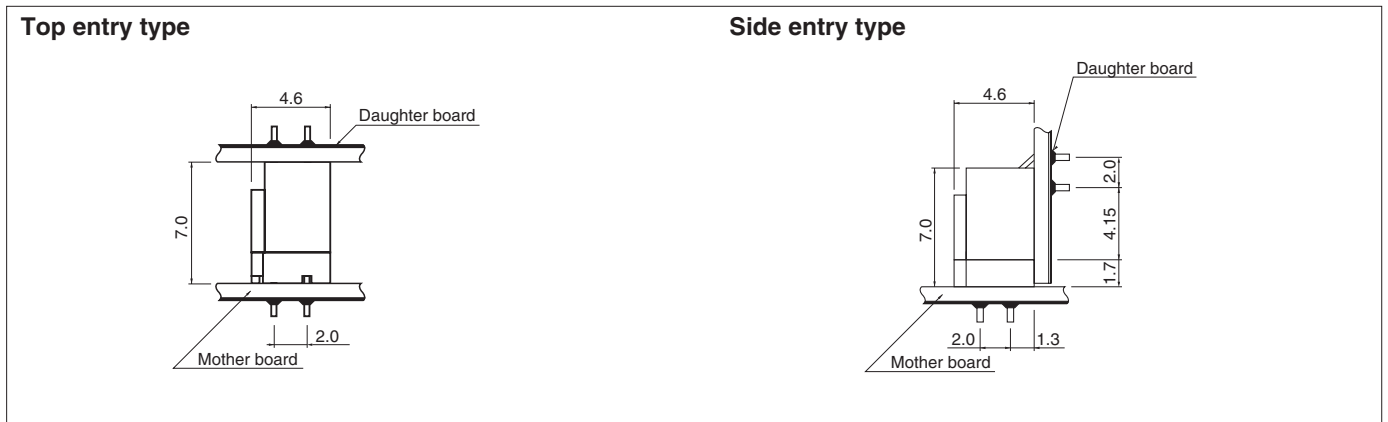
PC board layout (viewed from soldering side)



Note:

1. Tolerances are non-cumulative: $\pm 0.05\text{mm}$ for all centers.
2. Hole dimensions differ according to the kind of PC board and piercing method. The dimensions above should serve as a guideline.

Assembly layout



- Note:** The daughter board must be secured by means other than the connector.
Contact JST for more details.