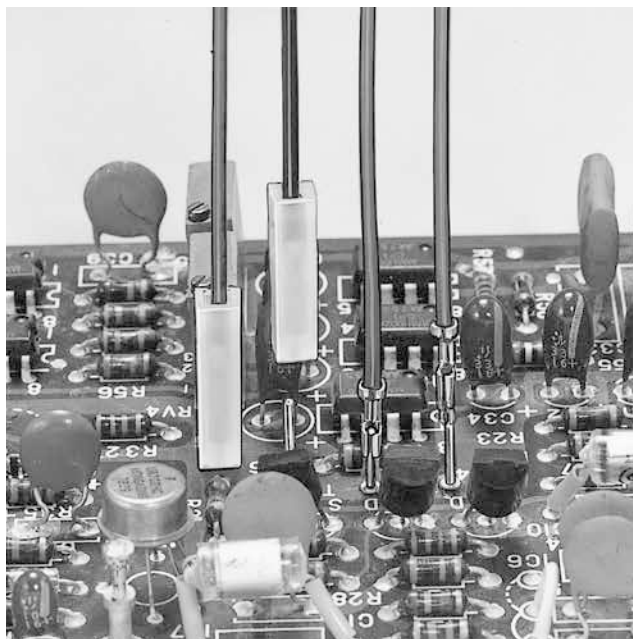


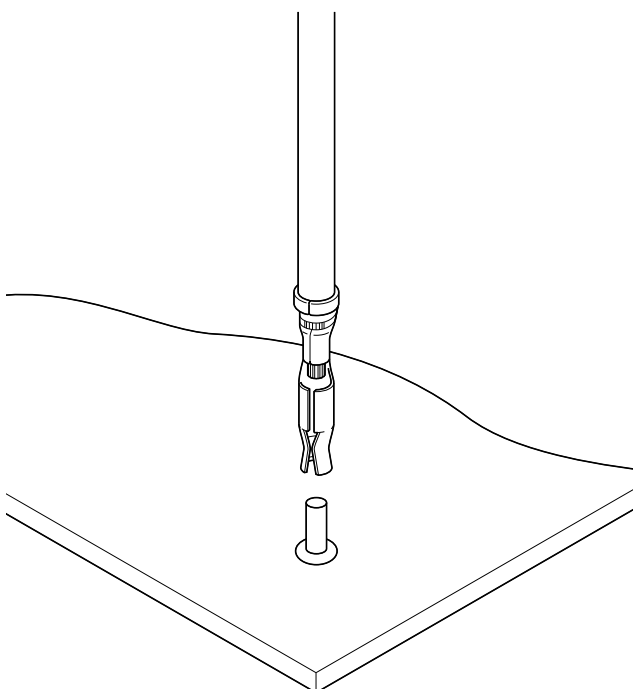
SMF CONNECTOR

Disconnectable Crimp style connector for 1.0mm and 1.3mm diameter pins



This small single-circuit connector connects to 1.0mm and 1.3mm diameter pins and requires only minimal space for connection of wires to high-density printed circuit boards.

The SMF connector has a funnel shaped lead-in to ease insertion and to ensure a balance with its high retaining force.



Specifications

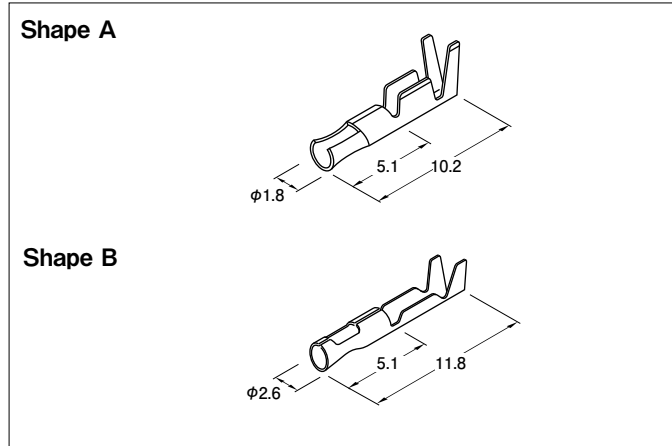
- Current rating: 5A AC, DC
- Temperature range: -25°C to +85°C
(including temperature rise in applying electrical current)
- Contact resistance: Initial value/10mΩ max.
After environmental testing/15mΩ max.
- Insulation resistance: 1,000MΩ min.
- Withstanding voltage: 500V AC/minute
- Applicable wire: AWG #26 to #20
- Applicable PC board thickness: 1.6mm
- * Compliant with RoHS.
- * Temperature Range:
The aforementioned temperature range of this connector is described in JST Standard Product Specification.
- * Refer to "General Instruction and Notice when using Terminals and Connectors" at the end of this catalog.
- * Contact JST for details.

Standards

- Ⓜ Recognized E60389
- Ⓢ Certified LR20812

SMF CONNECTOR

Contact



Model No.	Applicable wire			Shape	Applicable pin	Q'ty / reel
	mm ²	AWG #	Insulation O.D.(mm)			
SMF-01T-1.0	0.13 to 0.5	26 to 20	1.3 to 1.7	A	RT-01T-1.0B	5,000
SMF-01T-1.3				B	RT-01T-1.3B	4,000

Material and Finish

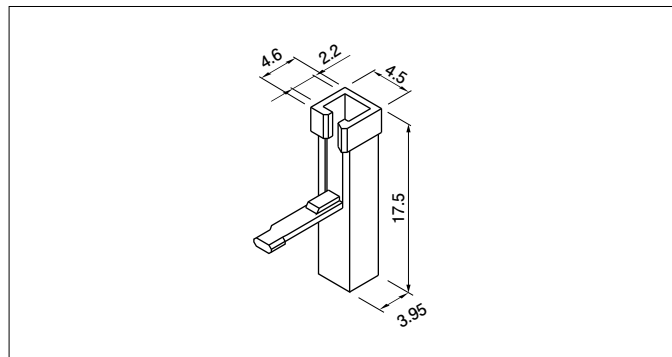
Brass, tin-plated (reflow treatment)

RoHS compliance

Note:

Contact JST if you require shielded wires or other special wires, or if two leads must be crimped in one contact.

Housing



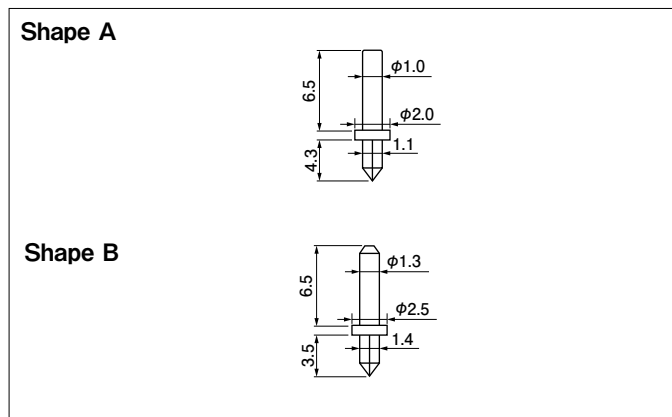
Model No.	No. of circuits	Insulation O.D. (mm)	Applicable contact	Q'ty / bag
1P-SMF	1	1.3 to 1.7	SMF-01T-1.0	1,000

Material

PA 66, UL94V-2, natural (white)

RoHS compliance

Pin



Model No.	Shape	Applicable PC board		Q'ty / box
		Thickness (mm)	Hole diameter (mm) [Reference]	
RT-01T-1.0B	A	1.6	1.0±0.05	20,000
RT-01T-1.3B	B	1.6	1.25±0.05	15,000

Material and Finish

Brass, nickel-undercoated, tin/copper alloy-plated

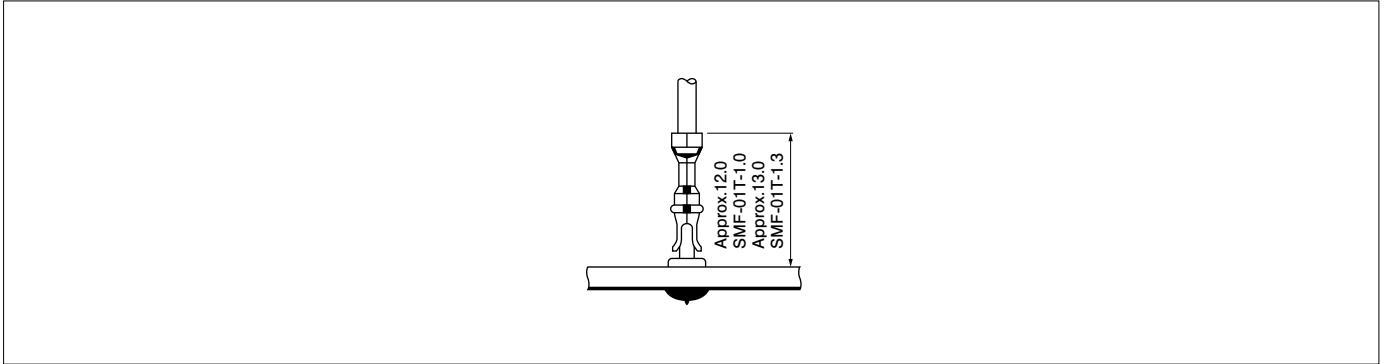
RoHS compliance

Note:

This product displays (LF) on a label. Hole dimensions may differ according to the type of PC board and piercing method.

SMF CONNECTOR

Assembly layout



Model number allocation

Contact

SMF - 01 T - 1.0

Form: S··Strip form

Series name

Applicable wire range: AWG #26 to #20

Surface finish: T··Tin-plated (reflow treatment)

Applicable pin: 1.0··Shape A, 1.3··Shape B

Housing

1P - SMF

No. of circuits: 1

Series name

Pin

RT - 01 T - 1.0 B

Series name

Type name

Surface finish: T··Nickel-undercoated, tin/copper alloy-plated

Pin size: 1.0, 1.3

Shape

Crimping machine, Applicator

Contact	Crimping machine	Applicator		
		Crimp applicator	Dies	Crimp applicator with dies
SMF-01T-1.0	AP-K2N	MKS-L	MK/SMF-01-10	APLMK SMF01-10
SMF-01T-1.3			MK/SMF-01-13	APLMK SMF01-13

Note: Contact JST for fully automatic crimping applicator.