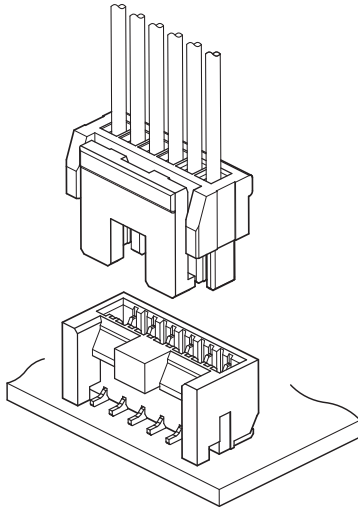


SFM CONNECTOR

1.25 mm pitch/Wire-to-Board connectors/Crimp style and Mating style



This space-saving 1.25 mm pitch wire-to-board connector comes with a secure locking system and is designed for high-density internal connections throughout all types of electrical and electronic equipment. The header has a dedicated flat surface for vacuum pickup, enabling automated assembly using embossed tape packaging, without the need for an adhesive tape backing for the pick and place machine.

- **High voltage, halogen-free**
In compliance with environmental regulations, we utilize halogen-free resin with a CTI value of ≥ 600 V to accommodate high-voltage requirements.
- **Space-saving**
When compared to other 1.25 mm pitch connectors in the JST product lineup, SFM connector PCB mounting depth is reduced by approximately 20 %.
- **Secure lock mechanism**
- **Structured to prevent contact deformation**
- **Adhesive-free embossed tape packaging**

■ Specifications

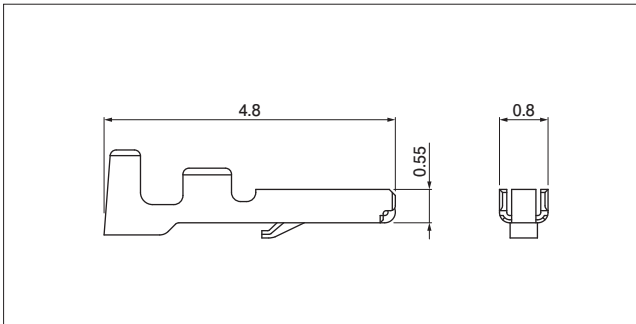
- Current rating: 1.0 A AC/DC (AWG #26)
 - Voltage rating: 130 V AC/DC
 - Temperature range: -25°C to $+85^{\circ}\text{C}$
(including temperature rise in applying electrical current)
 - Contact resistance: Initial value/ 30 m Ω max.
After test/ 50 m Ω max.
 - Insulation resistance: 100 M Ω min.
 - Withstanding voltage:
There shall be no breakdown or flashover while applying 500 V AC for one minute.
 - Applicable wire range:
Conductor size/ AWG #30 to AWG #26
Insulation O.D./ ϕ 0.76 mm to ϕ 1.0 mm
- * Please refer to the "Handling Precautions for Terminals and Connectors" on our website (listed in the "Technical Documents" column on the Product Information page) before use.
 - * RoHS2 compliance
 - * Dimensional unit: mm
 - * Contact JST for details.

■ Standards

- For information on overseas standard registrations, please refer to the "List of Registered Overseas Standards" on our website (listed in the "Technical Documents" column on the Product Information page).
- * Specifications registered to overseas standards may differ from the general specifications listed above.

SFM CONNECTOR

Contact



Model No.	Applicable wire range		Q'ty/ reel
	Conductor size AWG (mm ²)	Insulation O.D. (mm)	
SSHL-002T-P0.2	#30 to #26 (0.05 to 0.13)	0.76 to 1.0	35,000

Material and Surface finish, etc.

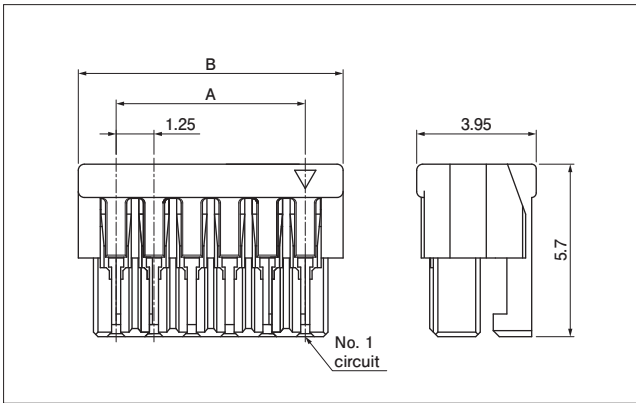
Copper alloy, tin-plated

Crimping machine

Contact	Crimping machine	Applicator	Crimp applicator with dies
SSHL-002T-P0.2	AP-K2N	MKS-L-10-3	APLMK SSSL002-02

Note: Contact JST for fully automatic crimping applicator.

Housing



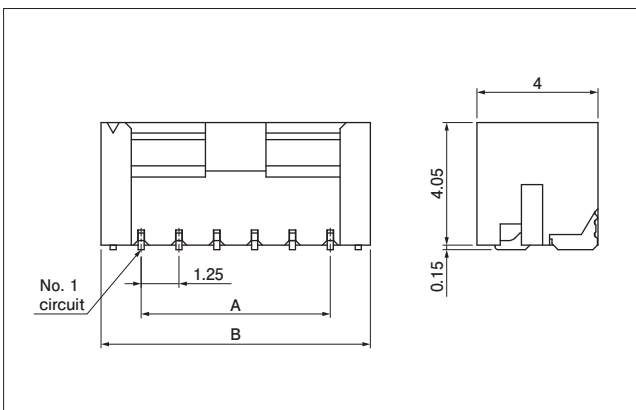
No. of circuits	Model No.	Dimensions (mm)		Q'ty/bag
		A	B	
6	SFMR-06V-S (HF)	6.25	8.75	1,000
10	SFMR-10V-S (HF)	11.25	13.50	1,000

Material and Surface finish, etc.

PBT, natural

Note: For flame retardant grade of resin material used, please refer to the "List of Registered Overseas Standards" on our website (listed in the "Technical Documents" column on the Product Information page).

Header



No. of circuits	Model No.	Dimensions (mm)		Q'ty/reel
		A	B	
6	BM06B-SFMS-TB (HF)	6.25	8.9	2,000
10	BM10B-SFMS-TB (HF)	11.25	13.50	2,000

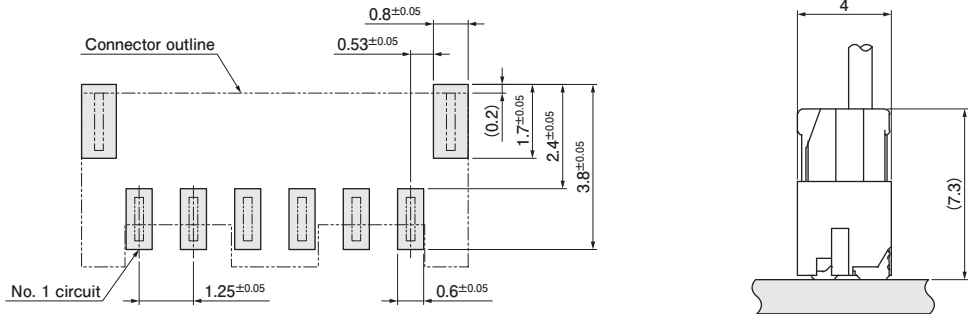
Material and Surface finish, etc.

Base contact: Copper alloy, tin-plated
Base housing: PA (Heat resistance), natural
Reinforcement: Copper alloy, tin-plated

Note: For flame retardant grade of resin material used, please refer to the "List of Registered Overseas Standards" on our website (listed in the "Technical Documents" column on the Product Information page).

SFM CONNECTOR

PC board layout and Assembly layout



Note: 1. The PC board layout figure shown is viewed from the connector mounting surface.
 2. Tolerance for the PCB pattern pitch shall be ± 0.05 and shall not accumulate.
 The above dimensions are reference values. Please contact JST for details.

Model number allocation

Contact

S SHL - 002 T - P 0.2

Supply form: Strip form	S	SHL	002	T	P	0.2
Series name						
Applicable wire range: AWG #30 to AWG #26						
Surface finish: Tin-plated						
Material: Copper alloy						
Applicable contact size						

Housing

SFM R - 06 V - S (HF)

Series name	SFM	R	06	V	S	(HF)
Type: For receptacle contact						
No. of circuits						
Sub model number						
Color: Natural						
Halogen-free						

Header

BM 06 B - SFM S - TB (HF)

Header type: SMT Top entry type	BM	06	B	SFM	S	TB	(HF)
No. of circuits							
Assembly product							
Series name							
Color: Natural							
Packaging style: Embossed taping							
Halogen-free							