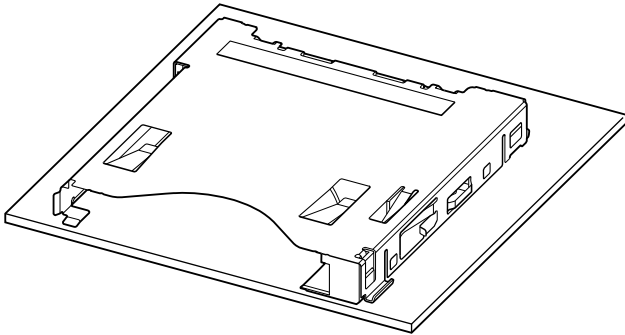


XCC CONNECTOR

Connector for CFexpress Type B card / XQD card



This is a card push type connector designed for CFexpress Type B card and XQD card.

- Designed for CFexpress Type B card
- Designed for XQD card
- Stable transmission characteristics and Conforming to CFexpress 1.0/PCIe 3.0.
- Card eject system: Card push method
- With the prevention mechanism for the card pop-out

Specifications

- Current rating: 1.2 A AC/DC for pin No.10
0.5 A AC/DC for other pins than pin No. 10
- Temperature range: -25°C to +85°C
(including temperature rise in applying electrical current)
- Contact resistance: Initial value/ 40 mΩ max.
After environmental tests/ 55 mΩ max.
- Insulation resistance:
Initial/ 1,000 MΩ min. when applying 500 VDC
After environmental tests/ 100 MΩ min. when applying 500 VDC
- Withstanding voltage: 500 V AC/ minute
- Guarantee of repeated mating/unmating performance: 12,000 cycles
- Applicable card:
CFexpress Type B card standard compliance product
XQD card standard compliance product

* In using the products, refer to "Handling Precaution for Terminals and Connectors" described on our website (Technical documents of Product information page).

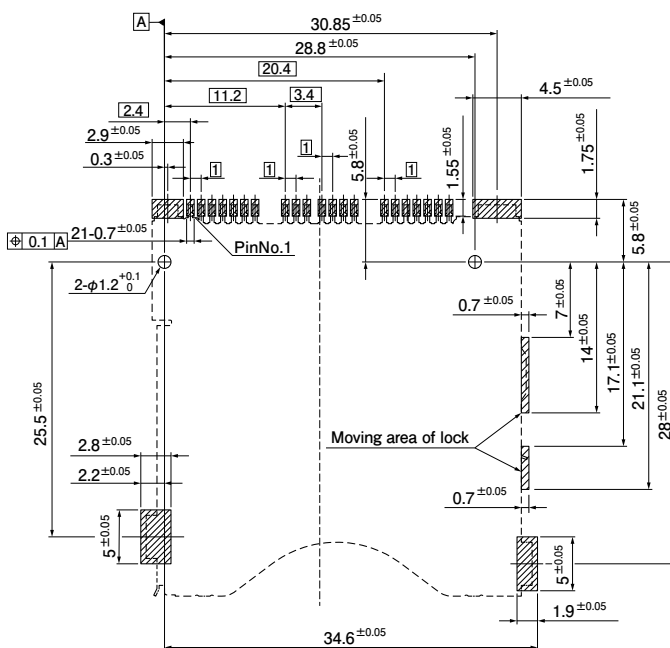
* RoHS2 compliance

* Dimensional unit: mm

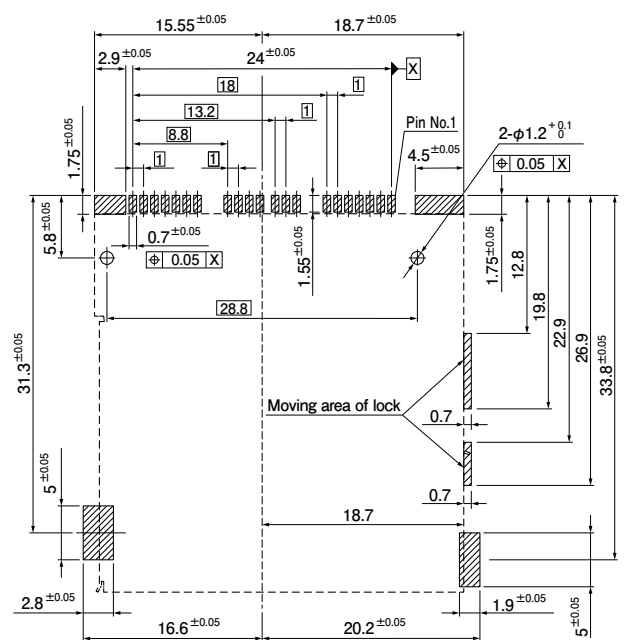
* Contact JST for details.

PC board layout

Normal

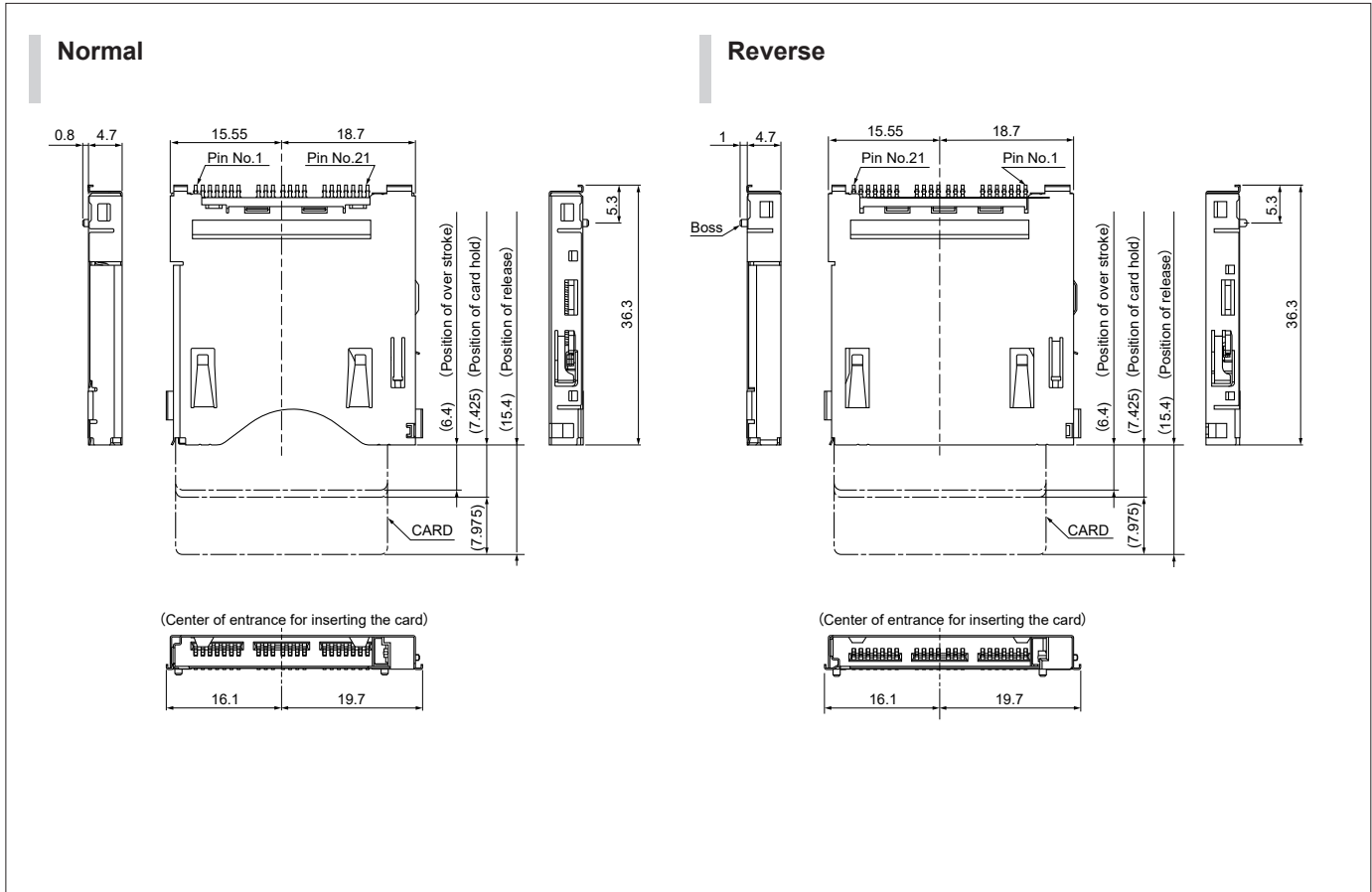


Reverse



Note: 1. The above figure is the figure viewed from the connector mounting side.
2. Tolerances are non-cumulative: 0.03 mm for all centers.
The dimensions above should serve as a guideline. Contact JST for details.

Card push type



No. of circuits	Type	Boss presence/absence	Model No.	Q'ty/box	Material and Finish
21	Normal	With boss	XCC-HC21SR-S532-N1401(LF)(SN)	1,040	Contact: Copper alloy, nickel-undercoated, Contact part: gold-plated Soldered part: gold-plated Housing: Heat-resistant resin, UL94V-0, black Frame: Stainless, nickel-undercoated, tin-plated (reflow treatment) Push lever: Heat-resistant resin, UL94V-0, black Lock: Copper alloy, nickel-plated Guide pin: Stainless Spring lock: Stainless
		Without boss	XCC-HC21SR-S532-N1501(LF)(SN)		
	Reverse	With boss	XCC-HC21SR-S532-R1101(LF)(SN)		
		Without boss	XCC-HC21SR-S532-R1201(LF)(SN)		

RoHS2 compliance